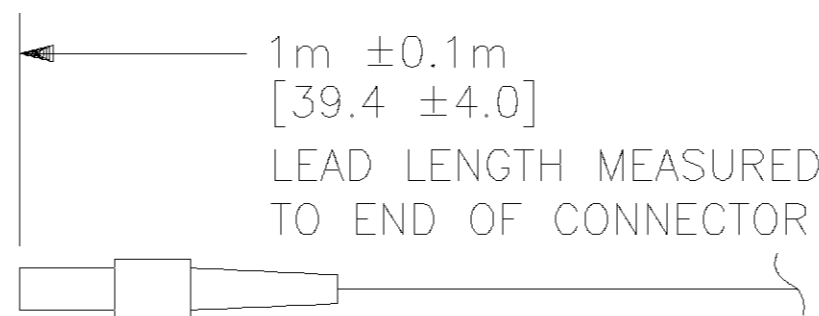
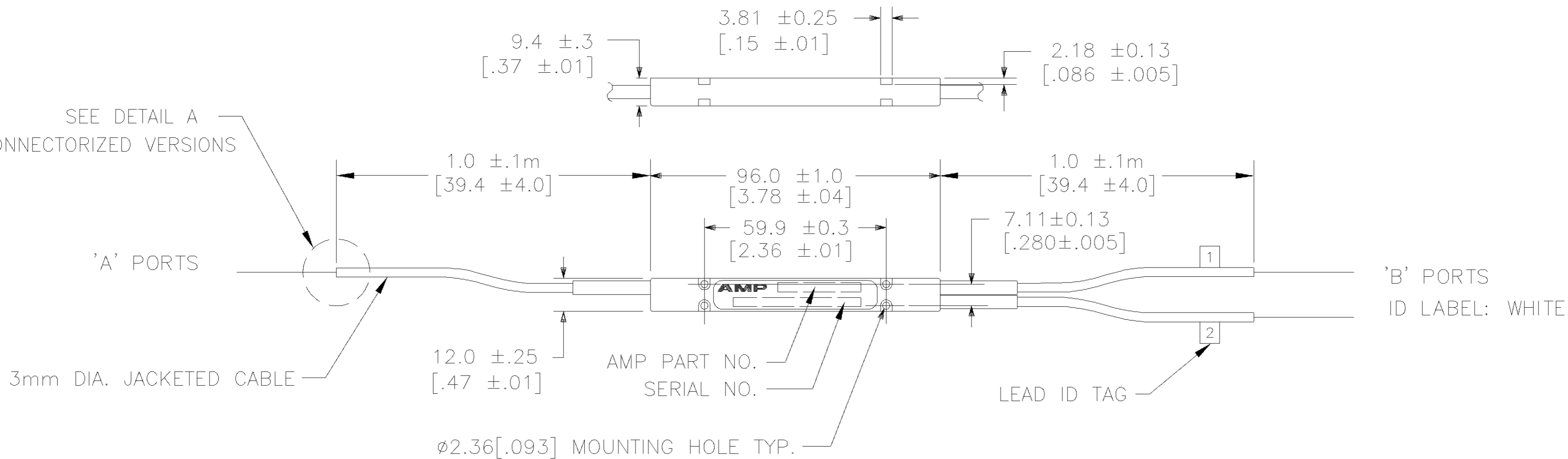


THIS DRAWING IS UNPUBLISHED. RELEASED FOR PUBLICATION
 © COPYRIGHT BY TYCO ELECTRONICS CORPORATION. ALL RIGHTS RESERVED.

LOC	DIST	REVISIONS			
P	LTR	DESCRIPTION	DATE	DWN	APVD
EA	16	C	REVISED PER EC# 0A00-0118-02	01JAN02	JAB SM

SEE DETAIL A FOR CONNECTORIZED VERSIONS



NOTES:

- ORIENTATION OF PORTS TO HOUSING AND LABEL IS AS SHOWN. TRANSMISSION SPECIFICATIONS ARE FOR 'A' PORTS TO 'B' PORTS DIRECTION.
- FLAMABILITY SPECIFICATIONS:
 ALL PLASTIC CONNECTOR COMPONENTS MADE FROM UL 94, V-0 RATED MATERIALS, WITH THE EXCEPTION OF THE DUST CAP
 CABLE MATERIALS ARE UL VW-1 RATED, NO OFN RATING

DETAIL A

SPECIFICATION:(UNCONNECTORIZED)

OPERATING WAVELENGTH: 600-1600nm
 OPERATING TEMPERATURE: -40°C TO 75°C
 DIRECTIVITY: ≥40dB
 SPLIT RATIO: 50/50 ±3.0%
 INSERTION LOSS: 4.0/4.0dB MAX.
 UNIFORMITY: 0.5dB MAX.
 CONNECTOR PERFORMANCE PER AMP SPECIFICATION 115-56050

PART NUMBER MATRIX			
CONNECTOR STYLE	FIBER SIZE (um)		
	50/125	62.5/125	100/140
ST	107842-8	107842-3	107842-4
SC	2-107842-2	2-107842-3	
NONE	1-107842-9	2-107842-0	

PORT LEGEND	
PORT	ID TAG
HIGH POWER	#1
LOW POWER	#2

THIS DRAWING IS A CONTROLLED DOCUMENT.		DWN P.MARC 8/11/97	tyco Tyco Electronics Corporation	
DIMENSIONS: INCHES		CHK P.DUBENKO 8/11/97	Harrisburg, PA 17105-3608	
TOLERANCES UNLESS OTHERWISE SPECIFIED:		APVD A.ALVAREZ 8/11/97	NAME	
0 PLC ± -	1 PLC ± -	PRODUCT SPEC	MULTIMODE COUPLER, 1X2, HD, 50/50	
2 PLC ± -	3 PLC ± -	APPLICATION SPEC	SIZE A2	CAGE CODE 00779
4 PLC ± -	ANGLES ± -	WEIGHT -	DRAWING NO C=107842	RESTRICTED TO -
MATERIAL -	FINISH -	CUSTOMER DRAWING	SCALE 1:1	SHEET 1 OF 1
			REV C	